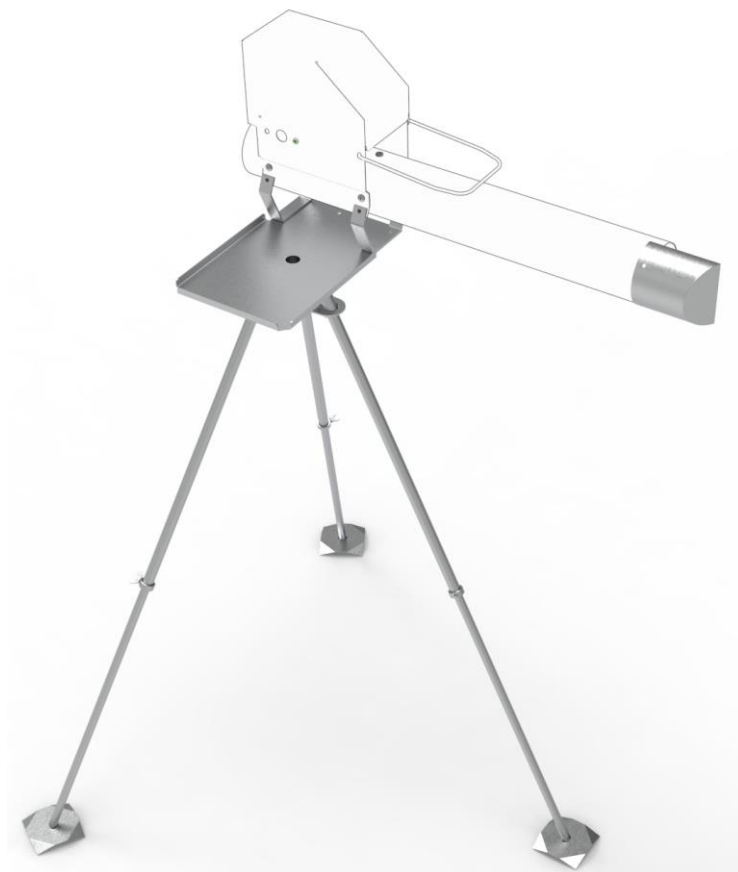


EAC



“SITITEK E20”

TRIPOD

User Manual

CONTENTS

- 1 Device description and operation
 - 1.1 Description
 - 1.2 Technical specifications
 - 1.3 Package content
 - 1.4 Configuration and functioning
- 2 Intended use
 - 2.1 Operating restrictions
 - 2.2 Device usage
- 3 Maintenance
- 4 Typical problems and possible solutions
- 5 Packaging, storage and transportation
- 6 Manufacturer warranty

This User Manual includes design, operating instructions (intended use, maintenance, repair, storage and transportation) of “SITITEK E20” tripod (hereinafter – tripod).

Before using the tripod, please, carefully read the supplied User Manual.

The tripod has a long service life and works efficiently if used according to the Manual’s recommendations.

1 DEVICE DESCRIPTION AND OPERATION

1.1 Description

1.1.1 The tripod is designed to install the bird repeller (SITITEK GROM E20, Dazon) at a height of up to 1160 mm. The tripod allows to rotate the repeller (during each "shot", the repeller automatically rotates at an angle of 15°-30°) and increase the repeller’s efficiency. The tripod has a platform which allows to place a battery with a weight of up to 12 kg. The tripod is supplied with chains for hanging a propane gas barrel. The tripod is made of zinc-plated steel, so it is durable and has corrosion protection.

1.1.2 Device operating instructions:

- Surrounding air temperature,from -20 to +40 °C;
- Relative air humidity at 25°C, до 98%;
- Atmospheric pressure, from 66,6 to 106,6 kPa.

1.2 Technical specifications

1.2.1 Visual appearance of the device is shown on Figure 1.



Figure 1 – Visual appearance of the device

1.2.2 Technical specifications are shown on Table 1.

Table 1

Description	Value
Dimensions	Not more than 1160x990x1145 mm (46x39x45 in)
Weight	Not more than 7 kg (15 lb)
Weight in the package	Not more than 8 kg (18 lb)
Compatible bird repeller models	SITITEK GROM E20 Dazon

1.3 Package content

1.3.1 Package content is shown on Table 2.

Table 2

№	Description	Quantity
1	Rotating platform (assembled)	1
2	Leg (assembled)	3
3	Bracket	4
4	Nozzle	1
5	Clamp, 120 mm (4,7 in)	1
6	Star knob M6x30	3
7	Nut M6x6	6
8	Screw M6x12	10
9	Chain	3
10	S hook, 3 mm (0,1 in)	6
11	Mounting ring	3
12	User Manual	1

1.3.2 The device's configuration is shown on Figure 2.

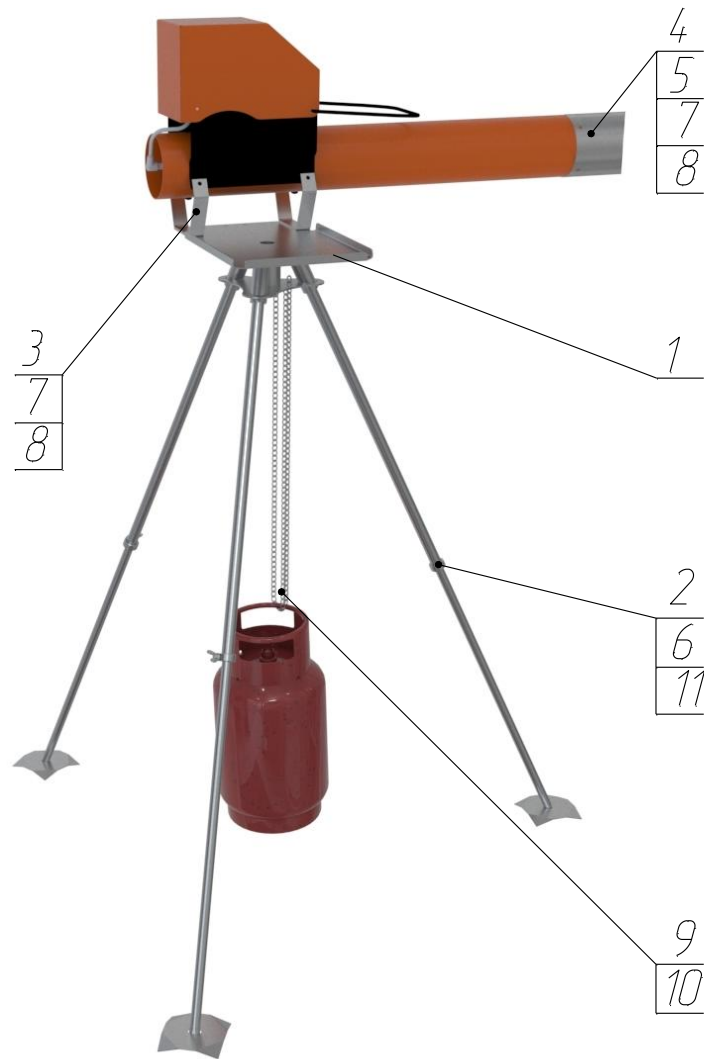


Figure 2 – The device's configuration

- 1 – Rotating platform (assembled)
- 2 – Leg (assembled)
- 3 – Bracket
- 4 – Nozzle
- 5 – Clamp
- 6 – Star knob
- 7 – M6x6 nut
- 8 – M6x12 screw
- 9 – Chain
- 10 – S hook

1.4 Configuration and functioning

1.4.1 The operating principle is based on a physical impulse made by recoil after the repeller's "shot".

2. INTENDED USE

2.1 Operating restrictions

2.1.1 Assemble and use the tripod only after reading this Manual.

2.1.2 Do not put the batteries heavier than 12 kg on the tripod.

2.1.3 Do not hang the barrels with a volume bigger than 5 liters to the tripod.

2.2 Device usage

2.2.1 Assembling.

Open the box.

Adjust the legs' height (2) and fix it using star knobs (6).

Insert the legs (2) into the holes of rotating platform (1).

Check if the rotating platform is perfectly horizontal using spirit level. Adjust the legs' height if necessary.

Install and fix brackets (3) on the rotating platform (1) using screws (8) and nuts (7).

Disconnect the hose from repeller and insert it in the whole on the rotating platform (1). Connect the hose to repeller (Figure 3).



Figure 3

Install and fix the repeller to brackets (3) using M6 nuts (supplied with the bird repeller).

Put on the nozzle (4) on the repeller's muzzle. Fix it with a clamp (5)*.

Put the battery on the rotating platform.

Hang the propane barrel on the chain using hooks (10).

The device is ready to use.

**For SITITEK GROM E20 model only. For Dazon models fix the nozzle (4) using screws (8) and nuts (7).*

3 MAINTENANCE

Maintenance requires cleaning the tripod's surface if necessary.

4 TYPICAL PROBLEMS AND POSSIBLE SOLUTIONS

Typical problems and possible solutions are shown on Table 2.

Table 4

Problem	Possible reason	Solution
The repeller does not rotate.	The rotating platform is not horizontal.	Adjust the tripod's legs using spirit level.

5 PACKAGING, STORAGE AND TRANSPORTATION

Each tripod is supplied in an individual cardboard package according to the package contents shown on Table 1.

The tripod is fixed in order to prevent its moving inside the package.

Packaged tripods are placed into shipping corrugated fiberboard box.

Packaged tripods can be transported by vehicle or railway in covered trucks or containers, or by air.

Packages should be protected from precipitation and direct sun rays during transportation.

Transportation conditions:

- Ambient air temperature: from -50 up to 50 °C;
- Relative humidity: up to 95 % at 25 °C;
- Atmospheric pressure from 84 up to 107 kPa (630 - 800 mmHg);

- Shock acceleration peak value is up to 147 m/s^2 (15 g), with a duration of shock acceleration from 10 to 15 ms.

6 MANUFACTURER WARRANTY

6.1 The manufacturer guarantees that the product conforms to the applied requirements under the operating, storage and transportation conditions specified in the Manual.

6.2 The tripod's service life — 5 years.

6.3 Manufacturer warranty – 12 months from the date of purchase.

6.4 If the tripod fails during the warranty period, the supplier (manufacturer or companies providing maintenance services) should replace or repair it at its own expense.

6.5 Customer loses the right to obtain warranty service in the following cases:

- After warranty period expiration;
- Violation of the operation, transportation and storage instructions;
- Mechanical damages causing tripod failure after the purchase;
- Manufacturer warranty seal is broken.

6.6 Repairing and maintenance of the tripod with an expired warranty period are covered at the customer's expense.